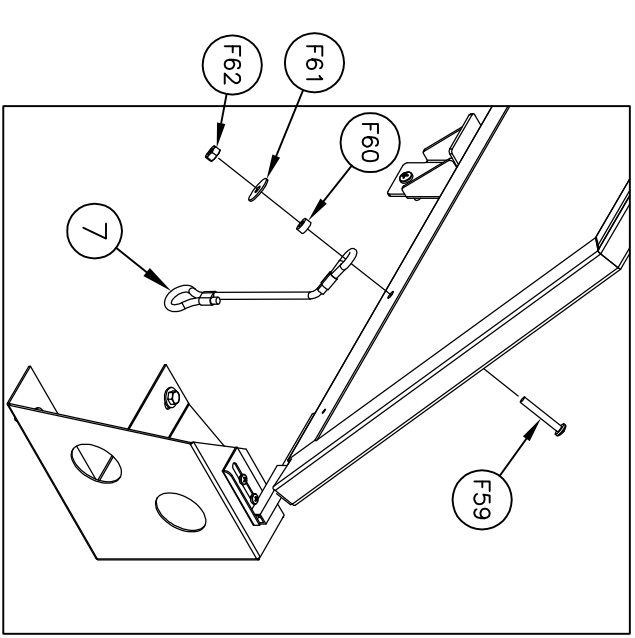
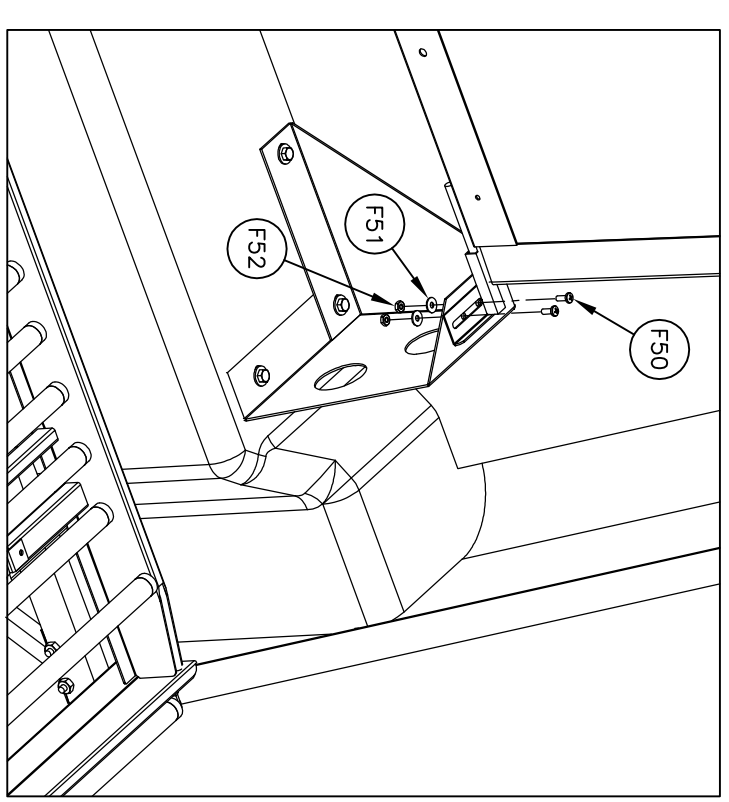
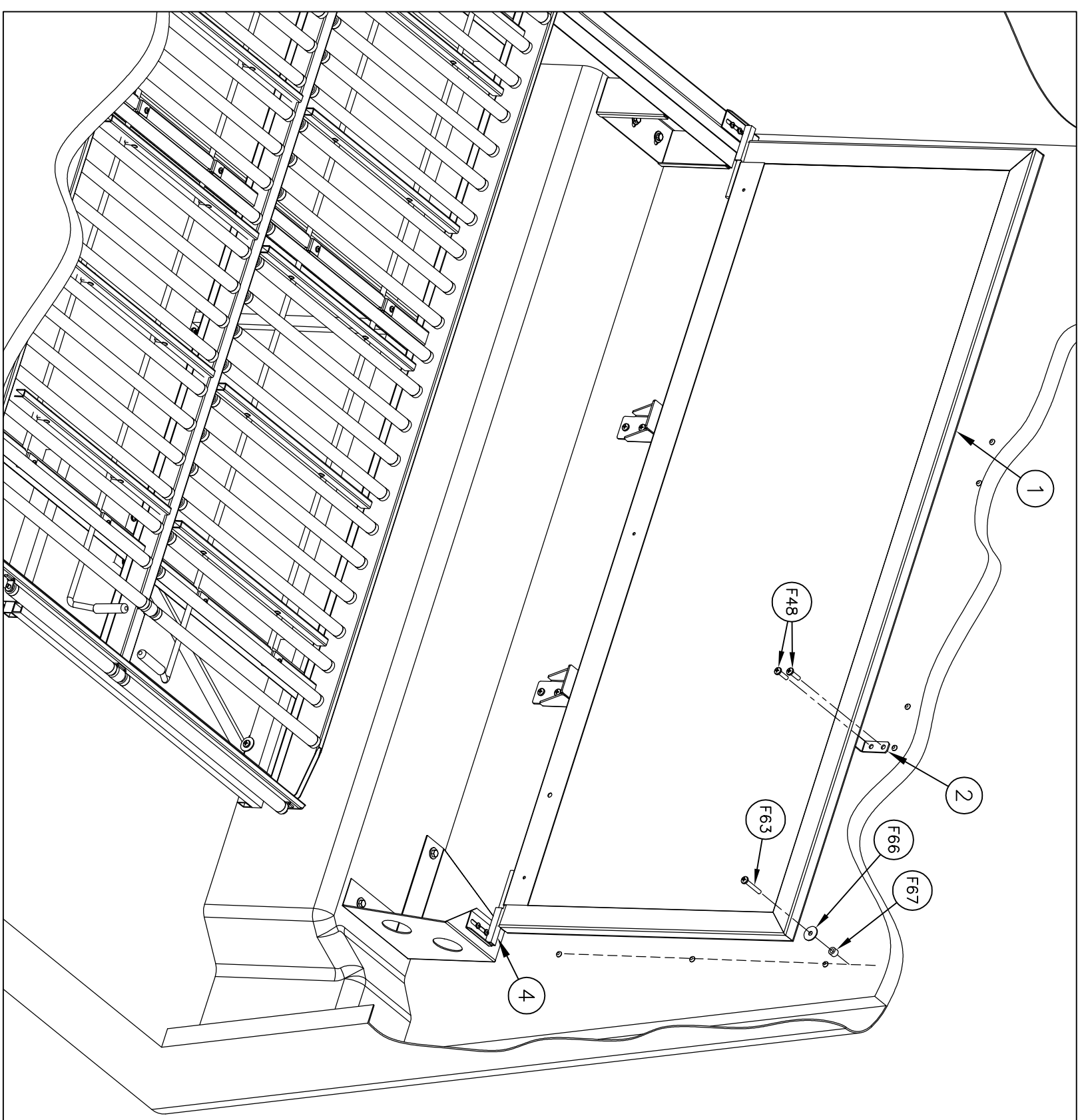


REVISIONS

REV.	DATE	DESCRIPTION	DRAWN BY	CHK'D
1	8/3/09	UPDATED BOM DESCRIPTIONS AND QUANTITIES	JER	JPL
2	10/5/09	ELIMINATED (4) OF ITEM F51	JER	JPL

PAGE 2 OF 2



QTY	DESCRIPTION	PART NUMBER
1	FLIP PANEL MODULE INSTALLATION DRAWING	77772300B
1	COMPOSITE PANEL, FINISHED	55502301
1	BRACKET, MAGNETIC CATCH	55502309
1	TUBULAR BRACKET, BULKHEAD SIDE	55502306
1	TUBULAR BRACKET, CARGO SIDE	55502307
2	DEFLECTION BRACKET	55502313
1	CORNER BOX, STAGING SIDE	55502303
1	BUNGEE CORD	55502312

THIS DRAWING IS THE PROPERTY OF POSTAL PRODUCTS UNLIMITED, INC. THE EXPRESS AGREEMENT THAT THE DRAWING AND ALL RIGHTS HEREIN AND ANY PART THEREOF ARE THE PROPERTY OF POSTAL PRODUCTS UNLIMITED, INC. IS HEREBY ACCEPTED BY THE USER. ANYWAY REPRODUCED WITHOUT THE PRIOR WRITTEN CONSENT OF POSTAL PRODUCTS UNLIMITED, INC. ACCEPTANCE OF THIS DRAWING ACTS AS ACCEPTANCE OF THE FOREGOING CONDITIONS.

POSTAL PRODUCTS UNLIMITED, INC.
 500 W. Oklahoma Ave
 Milwaukee, WI, 52307-2649

SCALE: 1/4" = 1'-0"
 DATE: 6/15/09
 DRAWN BY: JER
 CHECKED: JPL

FLIP PANEL MODULE INSTALLATION DRAWING
 LLV STOWAGE SYSTEM

PART NO. 77772300B DWG. NO. 77772300B.DWG SHEET 2 OF 2